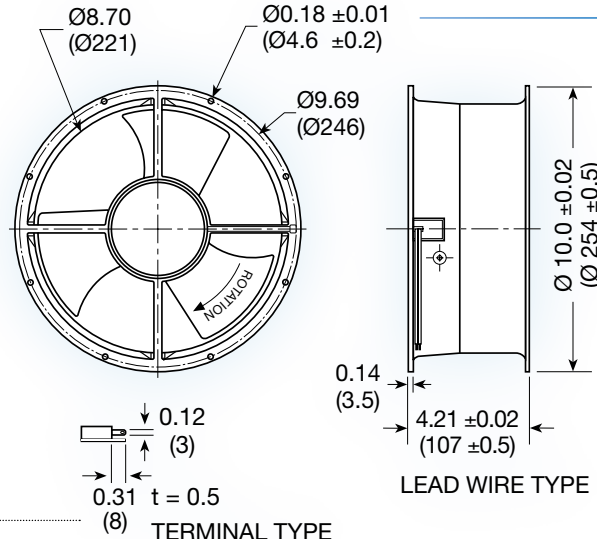
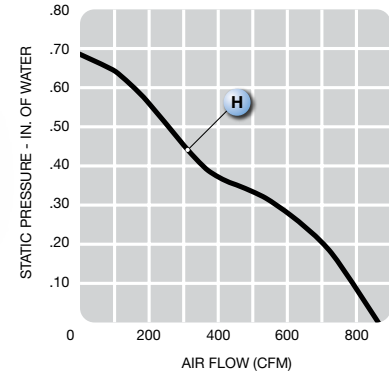


UF25HC series



LEAD WIRE TYPE

TERMINAL TYPE

**(254 dia. x 107 mm)**

10.0 dia. x 4.21 inches

Operating voltage: 115 or 230 VAC

Construction: aluminum die cast frame;
UL94V-0 PBT impeller

Bearing option: ball bearing

Motor: permanent split capacitor

Air Flow: exhaust over struts

Connection: terminal or 22 AWG lead wire

Protection: thermal

Option: dual voltage 115/130VAC

Model No.	Rated Voltage V	Freq. HZ	Input Power W	Rated Cur. A	Locked Cur. A	Speed RPM	Air Volume		Max. Static Pressure (H ₂ O)		Sound Noise dbA	Weight kg
							M ³ /Min.	CFM	MM	INCH		
UF25HC12-__H	115	60	125	1.07	1.50	2,750	24	850	17.5	0.68	65	2.50
UF25HC23-__H	230	60	125	0.50	0.75	2,750	24	850	17.5	0.68	65	2.50