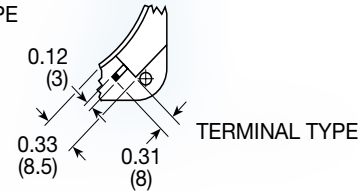
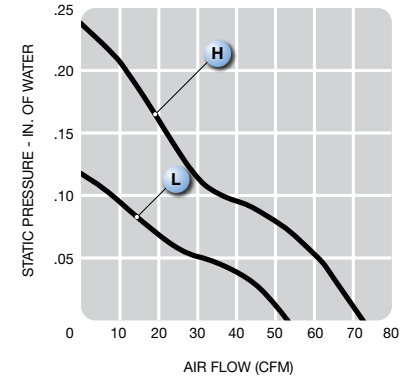
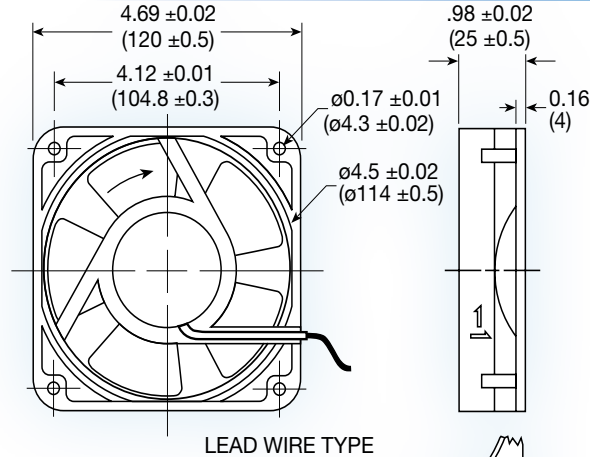


## UF12B series



**(120 x 120 x 25 mm)**  
4.69 x 4.69 x 0.98 inches



Operating voltage: 115 or 230 VAC

Construction: aluminum die cast frame;  
UL94V-0 PBT impeller

Bearing option: ball bearing or sintered bronze  
sleeve

Motor: shaded pole

Air Flow: exhaust over struts

Connection: terminal or 22 AWG lead wire

Protection: impedance

Options: dual voltage 115/130VAC  
IP55; IP55 + salt fog

Model No.	Rated Voltage V	Freq. HZ	Input Power W	Rated Cur. A	Locked Cur. A	Speed RPM	Air Volume		Max. Static Pressure (H <sub>2</sub> O)		Sound Noise dB(A)	Weight oz
							M <sup>3</sup> /Min.	CFM	MM	INCH		
UF12B12__H	115	60	11	0.12	0.15	2,900	2.1	75	6.0	0.24	42	11.6
UF12B23__H	230	60	14	0.07	0.08	2,900	2.1	75	6.0	0.24	42	11.6
UF12B12__L	115	60	11	0.11	0.12	2,000	1.5	53	2.9	0.11	33	11.6
UF12B23__L	230	60	14	0.06	0.07	2,000	1.5	53	2.9	0.11	33	11.6