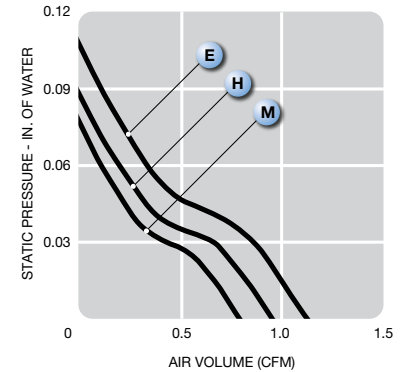
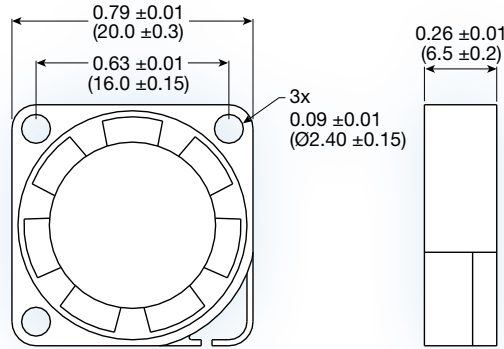


MS2006 series

**(20 x 20 x 6.5 mm)**

0.79 x 0.79 x 0.26 inches

Features: reverse polarity protection

Operating Voltage: 12 VDC

Construction: UL94V-0 plastic impeller and frame

Bearing option: sleeve or FDB bearing

Motor: brushless DC

Air Flow: air exhaust over struts

Model No.	Rated Voltage VDC	Current A	Speed RPM	Air Volume		Max. Static Pressure (H ₂ O)		Sound Noise dB(A)	Weight g
				M ³ /Min.	CFM	MM	INCH		
MS2006M	12	0.04	8,000	0.022	0.79	2.00	0.08	21	3.5
MS2006H	12	0.06	10,000	0.027	0.95	2.25	0.09	26	3.5
MS2006E	12	0.10	12,000	0.032	1.12	2.75	0.11	31	3.5