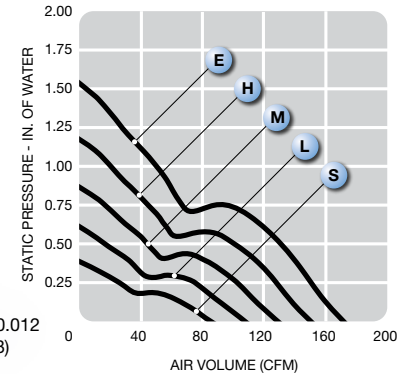
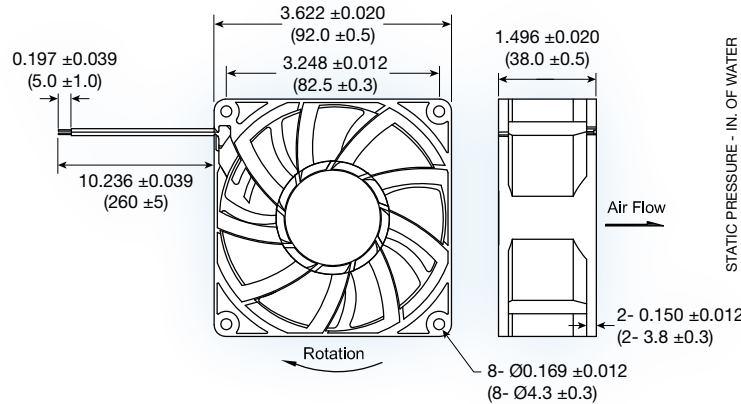


## MR9238 series

**(92 x 92 x 38mm)**

3.62 x 3.62 x 1.49 inches

Features: soft start, polarity protection, auto-restart

Operating Voltage: 12, 24 or 48 VDC

Construction: UL94V-0 plastic impeller and frame

Bearing option: ball bearing or sleeve

Air Flow: air exhaust over struts

Options: tachometer output or locked rotor alarm signal; PWM speed control

Model No.	Rated Voltage VDC	Current A			Speed RPM	Air Volume		Max. Static Pressure (H <sub>2</sub> O)		Sound Noise dbA	Weight g
		12	24	48		M <sup>3</sup> /Min.	CFM	MM	INCH		
MR9238S	12	0.42	—	—	4,000	2.47	88	10.05	0.40	45.3	198
MR9238L	12/24/48	0.82	0.41	0.20	5,000	3.08	109	15.55	0.61	50.5	198
MR9238M	12/24/48	1.16	0.58	0.26	6,000	3.68	131	22.24	0.88	55.4	198
MR9238H	12/24/48	1.60	0.80	0.40	7,000	4.29	152	30.13	1.19	58.8	198
MR9238E	12/24/48	2.30	1.15	0.58	8,000	4.89	173	39.22	1.54	63.3	198