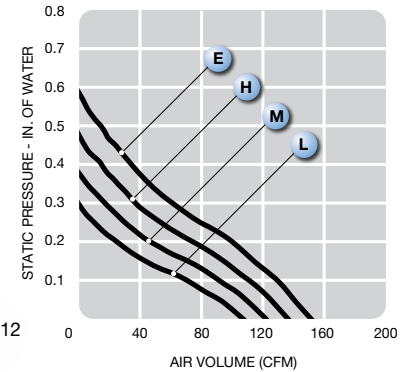
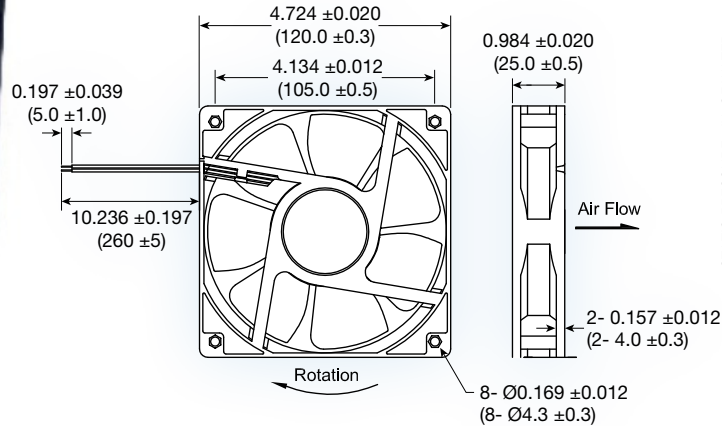


MR1225 series



(120 x 120 x 25 mm)

4.72 x 4.72 x .98 inches

Features: soft start, polarity protection, auto-restart

Operating Voltage: 24 VDC

Construction: UL94V-0 plastic impeller and frame

Bearing option: ball bearing or sleeve

Air Flow: air exhaust over struts

Options: tachometer output or locked rotor alarm signal; PWM speed control

Model No.	Rated Voltage VDC	Current A	Speed RPM	Air Volume		Max. Static Pressure (H ₂ O)		Sound Noise dB _A	Weight g
				M ³ /Min.	CFM	MM	INCH		
MR1225L	24	0.30	3,500	3.01	107	7.45	0.29	47.2	125
MR1225M	24	0.38	4,000	3.43	122	9.68	0.38	50.5	125
MR1225H	24	0.41	4,500	3.85	136	12.19	0.48	53.8	125
MR1225E	24	0.60	5,000	4.26	151	14.99	0.59	56.6	125