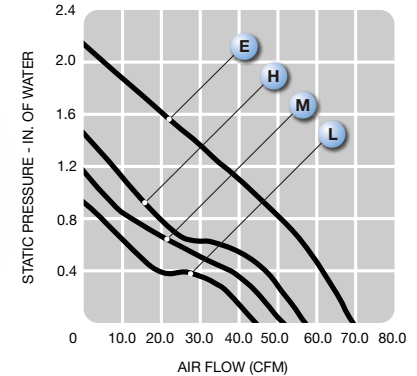
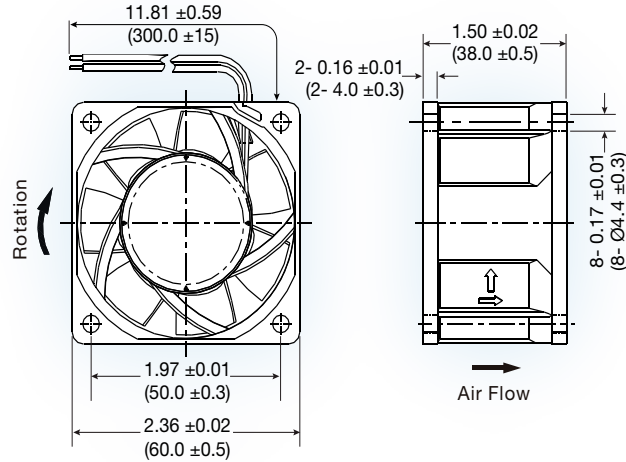


# MQ6038 series

## HIGH PERFORMANCE



**(60 x 60 x 38 mm)**  
2.36 x 2.36 x 1.50 inches

Construction: UL94V-0 PBT impeller & frame

Bearing option: ball bearing

Connection: AWG 24, UL1007 lead wires

Frame: flanged

Protection: thermal

Options: tachometer output or locked rotor alarm signal; PWM speed control

Model No.	Rated Voltage V	Current mA			Speed RPM	Air Volume		Max. Static Pressure (H <sub>2</sub> O)		Sound Noise dbA	Weight g
		12	24	48		M <sup>3</sup> /Min.	CFM	MM	INCH		
<b>MQ6038L</b>	12/24/48	480	260	210	8,000	1.26	44.60	23.2	0.91	53	106
<b>MQ6038M</b>	12/24/48	650	360	260	9,000	1.45	51.30	29.1	1.15	57	106
<b>MQ6038H</b>	12/24/48	860	460	310	10,000	1.61	57.00	36.3	1.43	60	106
<b>MQ6038E</b>	12/24/48	1600	720	410	11,000	1.96	69.20	53.6	2.11	64	106