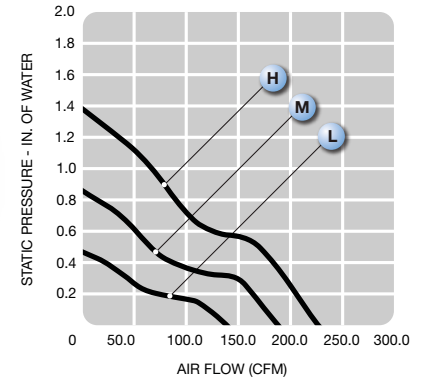
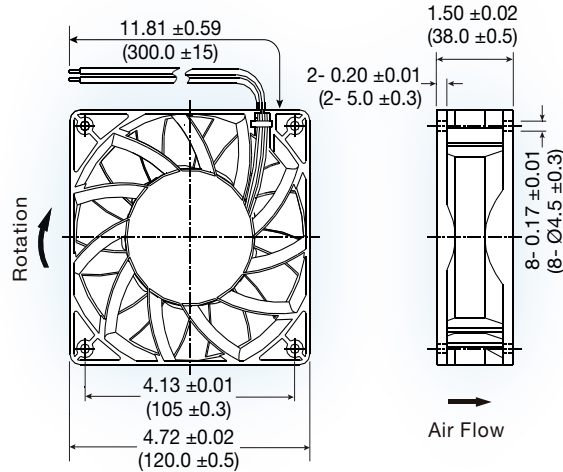


MQ1238 series

HIGH PRESSURE



(120 x 120 x 38 mm)
4.72 x 4.72 x 1.5 inches

Construction: UL94V-0 PBT impeller & frame

Bearing option: ball bearing

Connection: AWG 22, UL1007 lead wires

Frame: flanged

Protection: thermal

Options: tachometer output or locked rotor alarm signal; PWM speed control

Model No.	Rated Voltage V	Current mA			Speed RPM	Air Volume		Max. Static Pressure (H ₂ O)		Sound Noise dBa	Weight g
		12	24	48		M ³ /Min.	CFM	MM	INCH		
MQ1238L	12/24/48	1500	600	380	3,000	3.95	139.80	11.9	0.47	52	350
MQ1238M	12/24/48	2000	1100	600	4,000	5.34	188.60	21.6	0.85	59	350
MQ1238H	12/24/48	3600	1700	1000	5,000	6.40	226.00	34.4	1.35	65	350