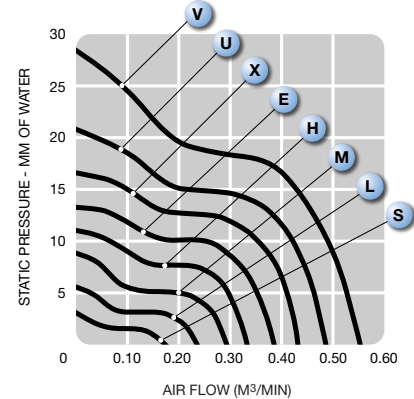
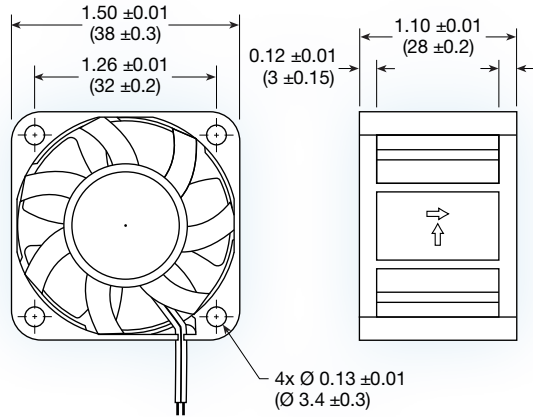


MA3828 series

HIGH PERFORMANCE



(38 x 38 x 28 mm)

1.50 x 1.50 x 1.10 inches

Construction: UL94V-0 PBT impeller & frame

Bearing option: ball bearing

Connection: AWG 26, UL1007 lead wires

Frame: ribbed

Protection: thermal

Options: tachometer output or locked rotor alarm signal; PWM speed control

Model No.	Rated Voltage V	Operating Voltage V	Current mA	Speed RPM	Air Volume		Max. Static Pressure (H ₂ O)		Sound Noise dBa	Weight g
					M ³ /Min.	CFM	MM	INCH		
MA3828S	12	7 - 13.2	50	5,000	0.176	6.20	3.39	0.136	30.8	35
MA3828L	12	7 - 13.2	85	6,500	0.233	8.28	5.50	0.220	33.2	35
MA3828M	12	7 - 13.2	140	8,000	0.288	10.18	8.97	0.350	37.2	35
MA3828H	12	7 - 13.2	200	9,200	0.333	11.75	11.05	0.442	39.0	35
MA3828E	12	7 - 13.2	240	10,300	0.381	13.44	13.50	0.540	41.0	35
MA3828X	12	7 - 13.2	350	11,500	0.426	15.01	16.83	0.698	43.0	35
MA3828U	12	7 - 13.2	520	13,000	0.482	16.96	21.50	0.866	47.5	35
MA3828V	12	7 - 13.2	650	15,000	0.556	19.57	28.63	1.145	53.1	35