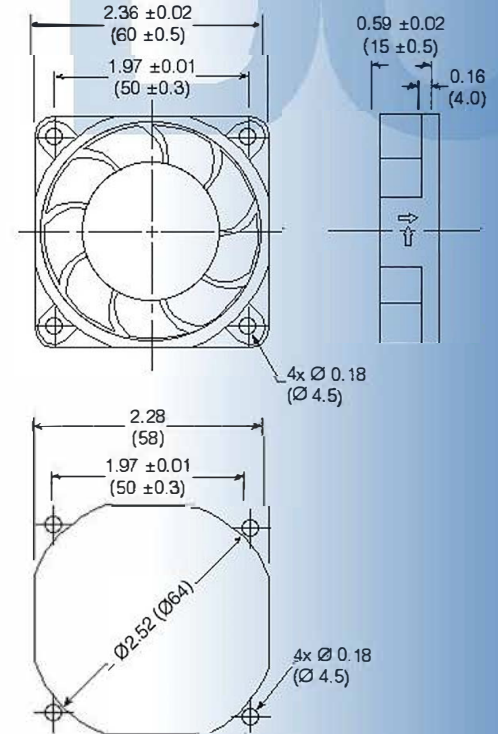


Size: (60 x 60 x 15mm)

2.36 x 2.36 x 0.59 inches

- High CFM in a thin profile design
- 12 or 24 VDC
- Ribbed frame style; ball bearing or sleeve bearing models
- Optional tachometer output signal



Model No.	Rated Voltage (V)	Current (mA)		Revolution (RPM)	Air Volume (CFM)	Maximum Static Pressure (In H ₂ O)	Sound Noise (dBA)	Weight (oz)
		12	24					
G6015 S	12/24	80	60	2,800	12	0.10	22	1.75
G6015 L	12/24	100	70	3,400	14	0.13	26	1.75
G6015 M	12/24	120	80	4,000	16	0.17	30	1.75
G6015 H	12/24	150	100	4,600	18	0.21	33	1.75
G6015 E	12/24	180	130	5,200	20	0.26	36	1.75
G6015 X	12/24	250	170	5,800	22	0.30	39	1.75